

IZAR Z SO



IP65

D-KENNZEICHEN¹

BESCHREIBUNG | DESCRIPTION

strapazierfähige Sicherheitsleuchte für große Flächen,
erhältlich in verschiedenen Lichtströmen
*robust emergency luminaire for large areas, available in
different luminous flux*

| | |
|---|---|
| Schutzart <i>protection degree</i> | IP65 |
| Schutzklasse <i>protection class</i> | II |
| Gehäuse <i>housing</i> | Polycarbonat, weiß <i>polycarbonate, white</i> |
| Montageart <i>mounting</i> | Deckenaufbau (DA) <i>ceiling mounting (DA)</i> |

Serie S

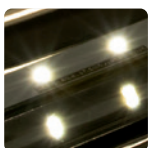
Serie P

Zentralbatterie | *central battery*

TECHNISCHE DATEN | SPECIFICATIONS

| Anschlussspannung <i>supply voltage</i> (AC/DC) | Anschlussleistung <i>power rating</i> (AC/DC) | Umgebungstemperatur <i>ambient temperature</i> | Gewicht <i>weight</i> | Lichtstrom <i>luminous flux</i> |
|---|--|---|--------------------------|--|
| 230 V / 216 V | LOW-POWER: 10,0 VA / 7,0 W HIGH-POWER: 20,0 VA / 18,5 W | -10 °C <> +40 °C | 0,9 kg | LOW-POWER: 731 lm HIGH-POWER: 1683 lm |

OPTIONEN | OPTIONS

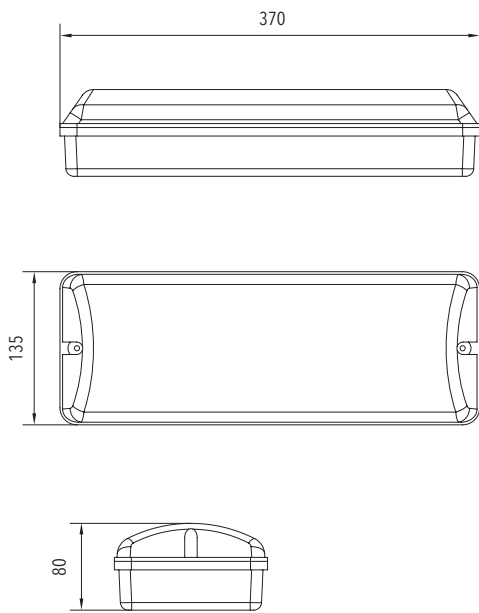


LOW POWER (LP)



HIGH POWER (HP)

MABE | DIMENSION (mm)



PROJEKTIERUNGSHILFEN | PROJECT PLANNING HELPS

IZAR Z SO LP

731 lm

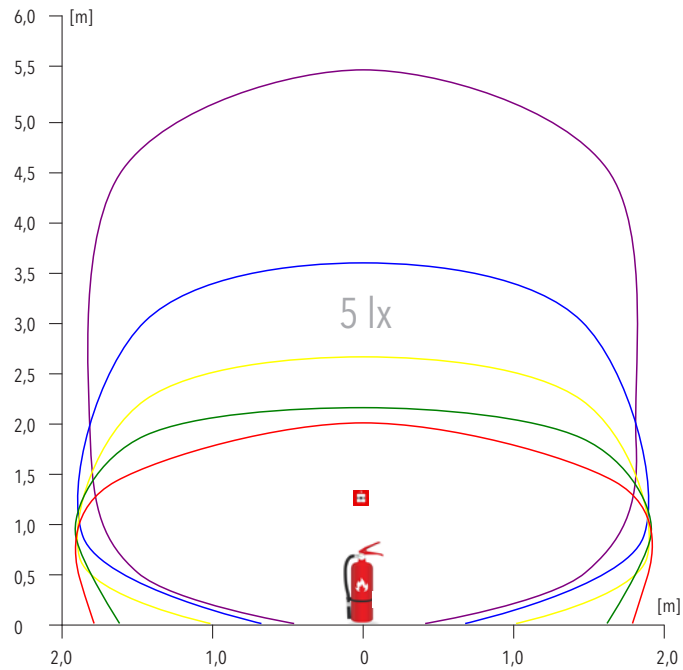
IZAR Z SO HP

1683 lm

| Höhe height [m] | Abstand DA distances DA [m] | | | Höhe height [m] | Abstand DA distances DA [m] | | |
|-----------------------|-----------------------------------|-------|--|-----------------------|-----------------------------------|-------|--|
| | □ | □ □ | | | □ | □ □ | |
| 2,0 | 4,40 | 10,30 | | 3,0 | 6,90 | 16,30 | |
| 2,5 | 4,90 | 11,70 | | 4,0 | 7,90 | 18,90 | |
| 3,0 | 5,30 | 12,90 | | 5,0 | 8,70 | 21,20 | |
| 3,5 | 5,70 | 13,90 | | 6,0 | 9,40 | 23,10 | |
| 4,0 | 6,10 | 14,70 | | 7,0 | 9,90 | 24,60 | |
| 5,0 | 6,40 | 16,30 | | 8,0 | 10,30 | 26,10 | |
| 6,0 | 6,30 | 17,80 | | 9,0 | 10,60 | 27,20 | |
| 7,0 | 6,70 | 18,40 | | 10,0 | 10,70 | 28,10 | |
| 8,0 | 7,30 | 18,80 | | 12,0 | 10,90 | 29,50 | |
| 9,0 | 6,90 | 19,20 | | 14,0 | 10,40 | 30,10 | |
| 10,0 | 6,60 | 19,90 | | 16,0 | 9,70 | 30,80 | |
| 12,0 | 5,40 | 20,10 | | 18,0 | 8,40 | 30,60 | |
| 14,0 | 2,70 | 18,70 | | 20,0 | 6,20 | 29,30 | |

IZAR Z SO: BELEUCHTUNG DER 5 lx - BEREICHE NACH DIN EN 1838

IZAR Z SO: LIGHTING OF THE 5 lx AREAS IN ACCORDANCE WITH DIN EN 1838



Montagehöhe Leuchte | Mounting height of the luminaire

— 2,0 m (LP) — 2,5 m (LP) — 3,0 m (LP) — 3,5 m (LP) — 5,0 m (HP)

Alle Angaben beziehen sich auf 1,0 m Abstand zur zu beleuchteten Fläche.

All specifications refer to a distance of 1.0 m from the surface to be illuminated.